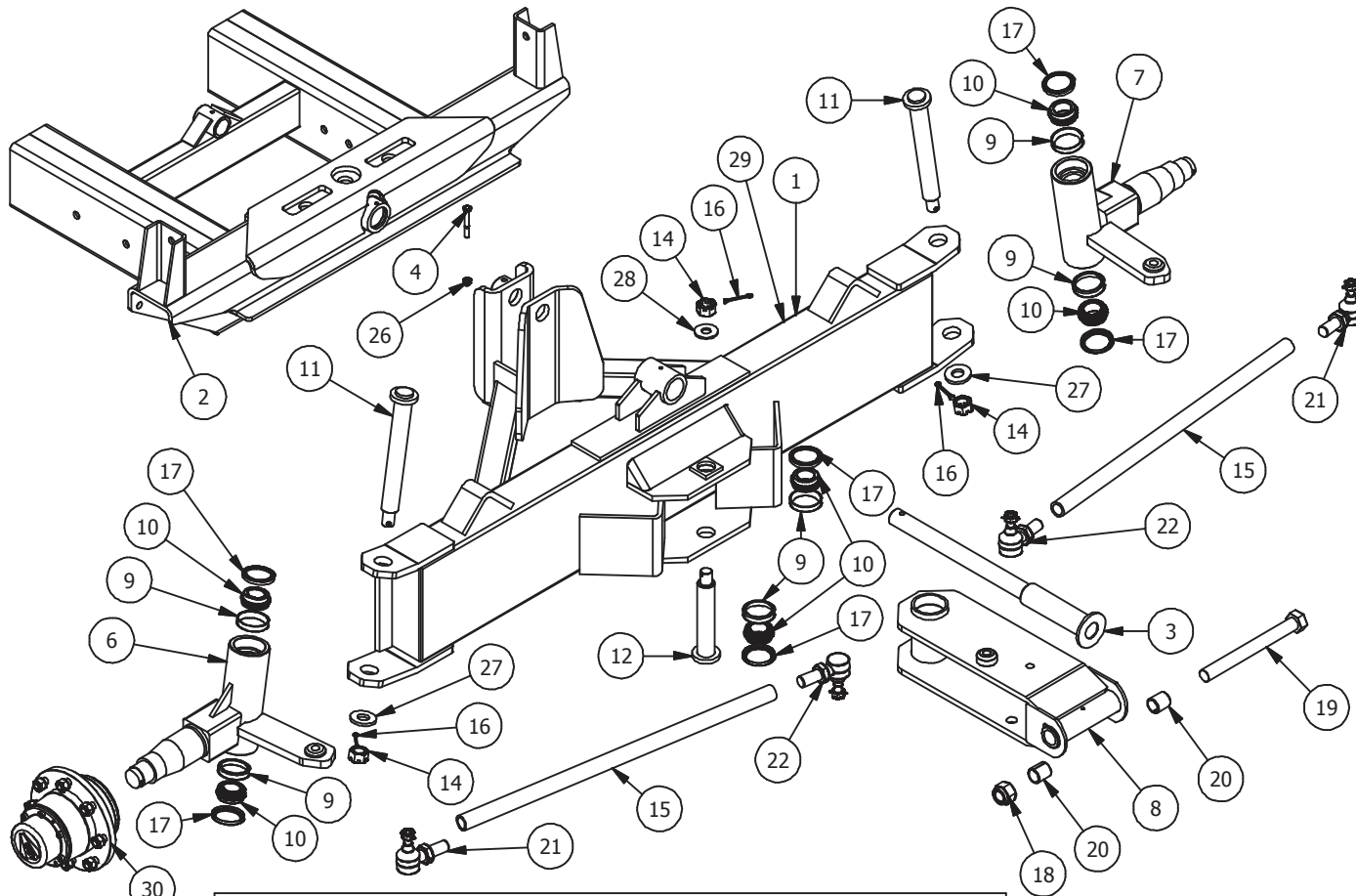


2003 - 2010

HORST
WAGONS

MODEL 365 FRONT AXLE ASSEMBLY



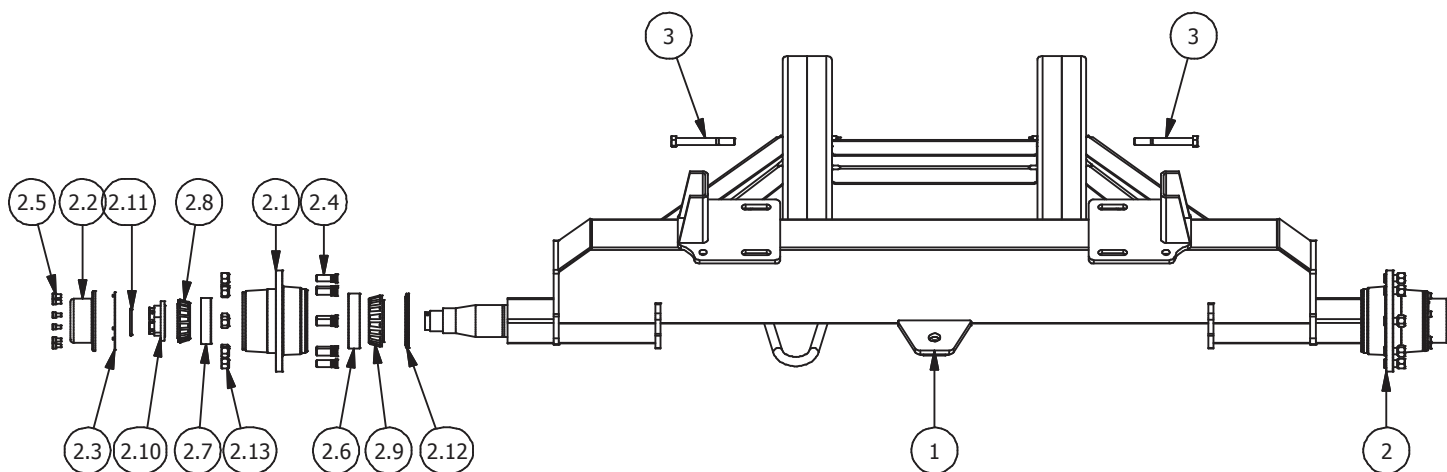
Parts List

ITEM	QTY	PART #	DESCRIPTION
1	1	22-1509	365 Front Axle Assembly
2	1	22-1143	Rocking Bolster Assembly
3	1	22-1510	Bolster Pin Assembly
4	1	11-1617	3/8" x 2 3/4" Hex Bolt
6	1	22-1615	Right Spindle Assembly
7	1	22-1616	Left Spindle Assembly
8	1	22-1105	Tongue Bracket Assembly
9	6	11-1009	Cup (13620)
10	6	11-1010	Cone (13686)
11	2	22-1141	Spindle Pin Assembly
12	1	22-1106	Timkin Pin Assembly
14	3	11-1081	1" Heavy Hex Slotted Nut
15	2	22-1137	Tie Rod
16	3	11-1016	3/16 x 2 Cotter Pin
17	6	11-1011	Seal (CR20952)
18	1	11-1060	1-1/8 Lock Nut
19	1	11-1285	1-1/8 x 10-7/8 Bolt Gr.5
20	2	11-1054	Bushing(1-3/8 x 1-1/8 x 1-1/2)
21	2	11-1103	ES176XHD Rod End R Thread
22	2	11-1104	ES176XHD Rod End L Thread
26	1	11-1584	3/8" lock nut
27	2	11-1132	1in Washer EM-8000
28	1	11-1014	3/4 Washer A
29	1	WA-F365	Front End Complete w Hubs
30	2	33-1611	ADR Hub Assembly

2003 - 2010

HORST
WAGONS

MODEL 365 REAR AXLE ASSEMBLY



Parts List			
ITEM	QTY	KEYWORDS	DESCRIPTION
1	1	22-1612	Rear Axle Assembly (ADR Spindles)
2	2	33-1611	ADR Hub Assembly
2.1	1	11-1598	10000 LB ADR Hub
2.2	1	11-1599	ADR Dust Cap
2.3	1	11-1600	ADR Dust Cap Gasket
2.4	8	11-1605	M16x1.5 Press-in Wheel Bolt
2.5	6	11-1607	M8 x 1.25 x 10 (ADR Dust Cap Bolt)
2.6	1	11-1601	Large Cup RPF 32215
2.7	1	11-1603	Small Cup ZWZ 32212
2.8	1	11-1604	Small Cone ZWZ 32212
2.9	1	11-1602	Large Cone ZWZ 32212
2.10	1	11-1608	M48 x 1.5 Castle Nut
2.11	1	11-1609	Nut Lock Pin
2.12	1	11-1610	Hub Rear Seal
2.13	8	11-1606	M16x1.5 Cone Wheel Nut
3	2	11-1064	5/8 x 5 1/2 Bolt